



Ruckus Wireless 7300 Series Mounting Bracket Installation Instructions

This guide provides step-by-step instructions for mounting a ZoneFlex 7341/7343/7363 Access Point to a wall, ceiling or to a T-bar using the Ruckus Wireless 7300 series mounting bracket.

PACKAGE CONTENTS

- 1 mounting bracket (includes plastic bracket, 2 bracket rails and 4 bracket rail screws)
- 2 mounting screws for wall or ceiling mount

BEFORE YOU BEGIN

Before performing this procedure, make sure you have the following hardware and tools available:

- Phillips #1 screwdriver
- Appropriate surface mounting hardware (if mounting to a flat surface)

The mounting bracket can be used to mount the Access Point in one of the following ways:

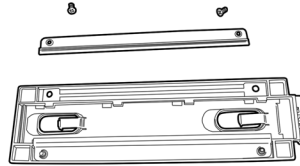
- [Mounting to a T-bar](#)
- [Mounting to a Wall or Ceiling](#)

MOUNTING TO A T-BAR

STEP 1: REMOVE ONE OF THE RAILS FROM THE BRACKET

- 1 If you are mounting the Access Point to a T-bar, remove one of the bracket rails (Figure 1).

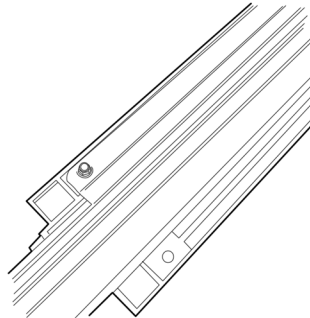
Figure 1. Bracket with one rail removed



STEP 2: SLIDE THE BRACKET ONTO THE T-BAR

- 1 Determine the location that you want to install the Access Point.
- 2 Lift the ceiling tile and slide the bracket onto the T-Bar so that the bracket rail forms a lip over the T-bar edge, holding the bracket in place. (Figure 2)

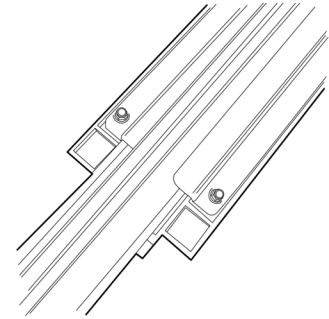
Figure 2. Bracket with one rail attached to T-bar



STEP 3: ATTACH THE OTHER BRACKET RAIL

- 1 Lifting the ceiling tile on the other side of the T-bar, place the other bracket rail on the other side of the bracket.
- 2 Insert the remaining two screws from the bottom and tighten. (Figure 3)

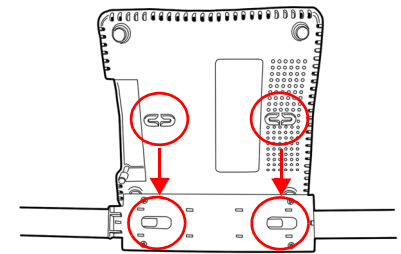
Figure 3. Attach the second rail to the bracket



STEP 4: ATTACH THE AP TO THE MOUNTING BRACKET

- 1 Ensure that the bracket locking tabs are in unlocked position. (Unlocked position is marked with a "U" and locked is marked with an "L" on the bracket.)
- 2 Align the bottom of the AP to the bracket so that the locking tabs enter the key holes in the bottom of the AP. (Figure 4)
- 3 Place the AP onto the bracket.

Figure 4. Align the locking tabs with the key holes on the bottom of the AP



STEP 5: LOCK THE AP IN PLACE

- 1 Insert a straightened paperclip into the lock hole nearest the front of the AP. (Figure 5)
- 2 Use the paperclip to push the locking tab inward until it locks in place.

Figure 5. Insert a paperclip into the lock hole, and push inward to lock in place

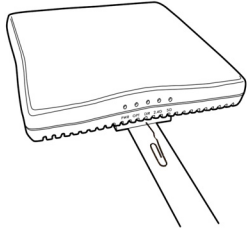
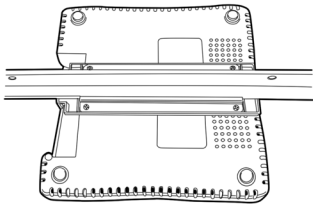


Figure 6. AP locked to bracket attached to T-bar



MOUNTING TO A WALL OR CEILING

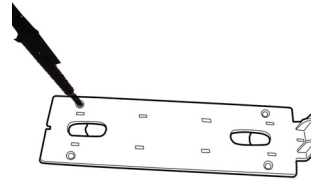
STEP 1: REMOVE BOTH BRACKET RAILS

Remove both bracket rails from the bracket. (The bracket rails are not used for wall/ceiling mounting.)

STEP 2: ATTACH THE BRACKET TO THE MOUNTING SURFACE

- 1 Using the bracket itself as a template, mark two holes on the diagonal on the mounting surface through which screws will be inserted. (Figure 7)

Figure 7. Remove both bracket rails and mark the locations for mounting screws on a flat surface



- 2 Ensuring that the Kensington lock tab is on the side where the AP's Ethernet ports will be, affix the bracket to the mounting surface.

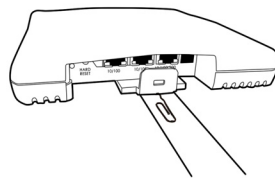
STEP 3: ATTACH THE ACCESS POINT TO THE BRACKET AND LOCK IN PLACE

- 1 Mount the Access Point to the bracket as described in [Step 4: Attach the AP to the Mounting Bracket](#).
- 2 Lock in place using a straightened paperclip as described in [Step 5: Lock the AP in place](#).

HOW TO DETACH

- 1 Insert a straightened paperclip into the lock hole nearest the rear of the AP, and push inward until the locking tab unlocks. (Figure 8)
- 2 Remove the AP from the mounting bracket.

Figure 8. Detaching the Access Point from the Mounting Bracket



FOR MORE INFORMATION

For more information on installation, configuration and management of your ZoneFlex 7341/7343/7363 Access Point, refer to the following documents:

- *ZoneFlex 7341/7343/7363 Quick Start Guide*: Included in the box with each ZoneFlex 7341/7343/7363 shipped.
- *Online Help*: Accessible from the Access Point Web interface
- *User Guide*: Downloadable in PDF format from the Ruckus Wireless Support site: <http://support.ruckuswireless.com>.